

VENT-AXIA BLACK SABRE SLIM CASE SICKLE FANS (BSC)



- ✓ Sizes 250 to 710 dia are protected to **IP54**.
- ✓ Motor Insulation Class F up to +70°C
- ✓ 450 to 710 dia, 3 phase motors, 2 speed as standard.
- ✓ All weather epoxy paint finish.
- ✓ Standard Thermal Overload Protection (S.T.O.P.).
- ✓ Performance tested to **BS 848** Part 1.
- ✓ **5 Year Guarantee**.

BLACK SABRE CASE MOUNTED SICKLE FANS

Black Sabre Sickle bladed fans are the latest addition to the Vent-Axia range offering improved pressure characteristics over axial units and lower sound levels. The advanced blade design and purpose built motor ensure excellent reliability and speed control.

CONSTRUCTION

The Black Sabre range share the same case lengths as the Cased axial range making them fully interchangeable and total compatibility with the full range of Vent-Axia Accessories. The strong and compact short case is constructed from rolled steel plate, electro welded and protected with a tough, epoxy paint finish. Casing dimensions are to **DIN 24151** and flange dimensions are to **ISO 6580**. Manufacture is controlled to **BS EN ISO 9001**. The compact motor/impeller unit is robustly supported within the casing by electro-welded and epoxy coated steel rod mounting supports for ease of installation and service access. Suitable for all weather outdoor environments.

IMPELLERS

The motors and impellers are factory matched, statically and dynamically balanced to **VDI 2060** Quality Class G.6.3.

MOTORS

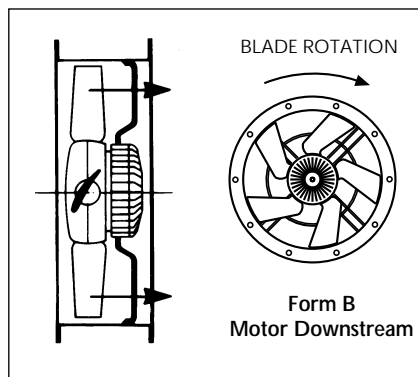
The external rotor motors are specifically designed and styled for this range of fan. Ball bearings are greased for life. Sizes 250-710 motors are

protected to **IP54**, against dust and moisture complying with **BS EN 60529**. They have ribbed aluminium body castings for efficient cooling with Motor insulation to Class 'F' (from -40°C to +70°C). Speed controlled sizes 450 to 710, 6 & 8 pole motors are only suitable for operating temperatures of up to 40°C.

ELECTRICAL

The Sabre range is available for either single phase 220-240V 50 Hz capacitor start and run or three phase 380-415V 50Hz. Motors are fitted with Standard Thermal Overload Protection (S.T.O.P.) which should be wired into all controller circuits and into starter contactors to prevent motor damage due to overloading / overheating. Three phase 380-415V 50Hz units, from 450 to 710 diameter are fitted as standard with 2 speed Delta/Star connection motors. Most units are suitable for speed control by either electronic, voltage reduction or frequency inverters where permissible.

FORM OF RUNNING



Cased mounted fans (ex-stock) are supplied for extract use (Form 'B' running).

TERMINAL BOX

An **IP65** terminal box is supplied with all models with 20mm and PGII entry offering protection against dust and water jets from any angle.

PERFORMANCE

The fan performance, is in accordance with tests to **BS 848** Part 1.

SOUND LEVELS

Fan sound levels, measured in a reverberant chamber in accordance with **BS 848** Part 2. Published dB(A) figures are free field sound pressure levels at 3m with spherical propagation at a reference level of 2×10^{-5} Pa (20 micro-Pascal). The sound power level spectra figures are dB with a reference level of 10^{-12} Watts (1 pico-watt). To ensure minimum noise levels during speed control, an auto transformer speed control is recommended.

ACCESSORIES

A full range of accessories is available with the Sabre Slim Cased Sickle fans:

- Electronic Speed Controllers.
- Auto Transformer Speed Controllers.
- Inverter Speed Controller, where permissible.
- D.O.L. Starters.
- Ancillary Packs.
- Flexible Connections.
- Mounting Feet.
- Coupling Flanges.
- Anti-Vibration Mounts.
- Attenuators.