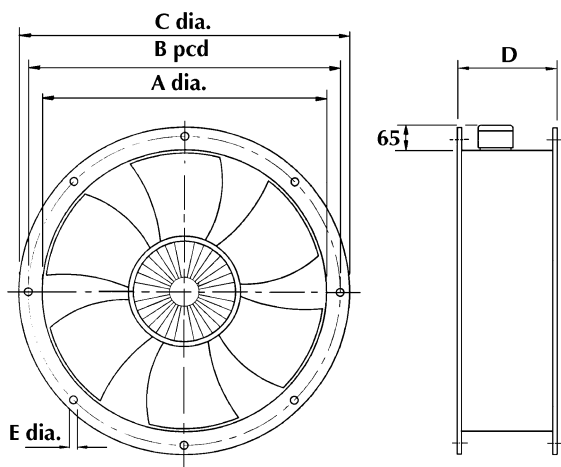


VENT-AXIA BLACK SABRE SLIM CASE SICKLE FANS DIMENSIONS (mm)

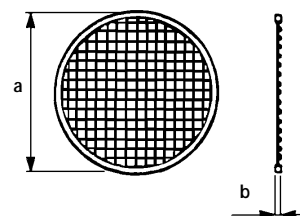
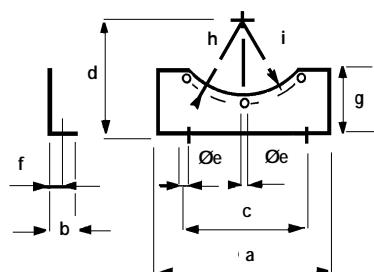
DIMENSIONS (mm)



Stock Ref. No.	ØA	ØB	ØC	D	ØE	No. Holes	Weight kg
BSC 315	315	355	386	170	10	8	10.5
BSC 355	355	395	426	170	10	8	13
BSC 400	400	450	487	170	12	8	15.5
BSC 450	450	500	537	180	12	8	20.5
BSC 500	500	560	595	180	12	12	33
BSC 560	560	620	655	240	12	12	31
BSC 630	630	690	725	240	12	12	38
BSC 710/4	710	770	806	350	12	16	65
BSC 710/6	710	770	806	240	12	16	65

Please note: *Dimension D is 240mm on 6-pole & 350mm on 4-pole version.

ACCESSORY DIMENSIONS (mm)



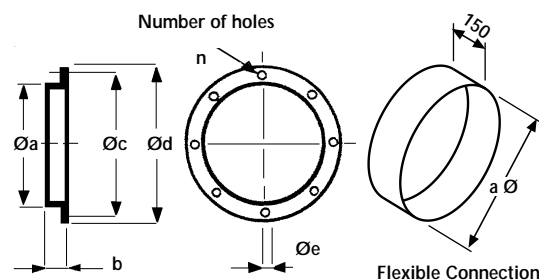
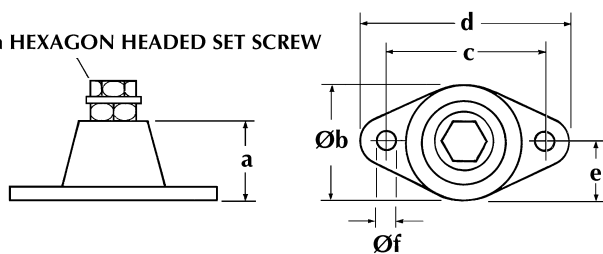
INLET WIRE GUARD 'K' factor loss 0.25

Stock Ref. No.	Øa	b
105 05 315	380	3
105 05 355	420	3
105 05 400	475	3
105 05 450	525	3
105 05 500	595	3
105 05 560	655	3
105 05 630	725	3
105 05 710	784	5

MOUNTING FEET

Stock Ref. No.	a	b	c	d	Øe	f	g	h	i
105 03 315	275	24	224	224	10	14	115	177.5	167
105 03 355	303	24	250	250	10	14	125	197.5	187
105 03 400	348	24	280	280	12	14	135	225	213
105 03 450	384	24	315	315	12	14	155	250	238
105 03 500	425	24	315	315	12	14	135	280	268
105 03 560	475	24	355	355	12	14	155	310	298
105 03 630	520	24	400	400	12	14	175	345	333
105 03 710A	710	40	610	435	13	18	240	385	365

n HEXAGON HEADED SET SCREW



ANTI-VIBRATION MOUNTS

Stock Ref. No.	a	Øb	c	d	e	Øf	n	Max load kg
105 23 033	27	37	54	67	18.5	7	M8	23
105 23 055	27	37	54	67	18.5	7	M8	36
105 23 133	35	57	76	95	28.5	10.5	M12	91

COUPLING FLANGE

Stock Ref. No.	Øa	b	Øc	Ød	Øe	n
105 06 315	386	30	355	315	10	8
105 06 355	426	45	395	355	10	8
105 06 400	487	45	450	400	12	8
105 06 450	537	60	500	450	12	8
105 06 500	595	60	560	500	12	8
105 06 560	655	75	620	560	12	12
105 06 630	725	75	690	630	12	12
105 06 710A	800	40	770	710	12	16