

VENT-AXIA BLACK SABRE PLATE MOUNTED SICKLE FANS (BSP)



- ✓ Sizes 250 to 710 dia are protected to **IP54**.
- ✓ Motor Insulation Class F up to +70°C
- ✓ 450 to 710 dia, 3 phase motors, 2 speed as standard.
- ✓ Can be wired for reverse running.
- ✓ Standard Thermal Overload Protection (S.T.O.P.).
- ✓ Performance tested to **BS 848** Part 1.
- ✓ **5 Year Guarantee**.

METAL BLADED PLATE MOUNTED SICKLE FANS

Plate mounted sickle fans are based on an integrated impeller and external rotor motor design, which produces a very compact unit. Together with a specially designed bellmouth inlet and mounting plate, the complete fan is lightweight and ensures an excellent performance to sound level ratio.

The mounting plate is formed from a single sheet, protected with a tough epoxy paint finish. Inlet finger guards and motor supports are manufactured from steel rod, electro welded for extra strength. Sizes 250 to 710 finger guards give protection to **BS 848** Part 5. Manufacture is controlled to **BS EN ISO 9001** Standards.

IMPELLERS

The motors and impellers are factory matched, statically and dynamically balanced to **VDI 2060** Quality Class G.6.3.

MOTORS

The external rotor motors are specifically designed and styled for this range of fan. Ball bearings are greased for life. Sizes 250-710 motors are protected to **IP54**, against dust and moisture complying with **BS EN 60529**. They have ribbed aluminium body castings for efficient cooling with Motor insulation to Class 'F' (from -40°C to + 70°C). Speed controlled sizes 450 to 710, 6 & 8 pole motors are only suitable for operating temperatures of up to 40°C.

ELECTRICAL

The Sabre range is available for either single phase 220-240V 50 Hz capacitor start and run or three phase 380-415V 50Hz. Motors are fitted with Standard Thermal Overload Protection (S.T.O.P.) which should be wired into all controller circuits and into starter contactors to prevent motor damage due to overloading / overheating. Three phase 380-415V 50Hz units, from 450 to 710 diameter are fitted as standard with 2 speed Delta/Star connection motors. Most units are suitable for speed control by either electronic, voltage reduction or frequency inverters where permissible.

FORM OF RUNNING

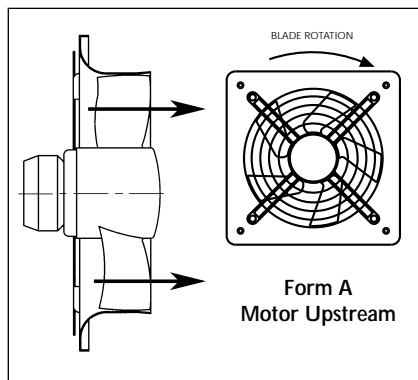


Plate mounted fans (ex-stock) are supplied for extract use (Form 'A' running).

TERMINAL BOX

An **IP65** terminal box is supplied with all models with 20mm and PG11 entry offering protection against dust and water jets from any angle.

PERFORMANCE

The fan performance, is in accordance with tests to **BS 848** Part 1.

SOUND LEVELS

Fan sound levels, measured in a reverberant chamber in accordance with **BS 848** Part 2. Published dB(A) figures are free field sound pressure levels at 3m with spherical propagation at a reference level of 2×10^{-5} Pa (20 micro-Pascal). The sound power level spectra figures are dB with a reference level of 10^{-12} Watts (1 pico-watt). To ensure minimum noise levels during speed control, an auto transformer speed control is recommended

ACCESSORIES

A full range of accessories is available with the Sabre Plate Sickle Mounted fans:

- Electronic Speed Controllers
- Auto Transformer Speed Controllers
- Inverter Speed Controller, where permissible.
- D.O.L. Starters
- Louvre Shutters
- External Guards