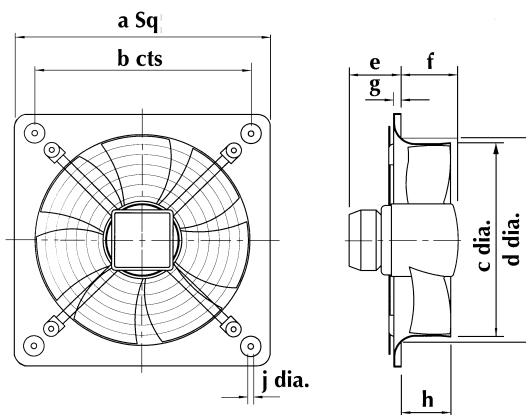
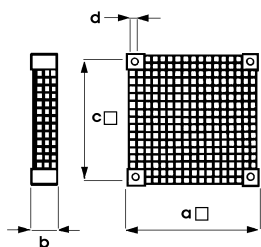


VENT-AXIA BLACK SABRE PLATE MOUNTED SICKLE FANS DIMENSIONS (mm)



size	a	b	Øc	Ød	e	f	g	h	Øj	kg approx
250	315	260	261	294	72	60.5	12	53	10	6
315	400	330	320	329	81	68	12	68	10	7
350	450	380	363	371	81	75	12	75	10	7.5
400	500	420	410	422	81	75	12	78	10	9
450	560	480	457	476	115	91	12	91	10	12.5
500	630	560	512	536	105	110	12	97	10	16
560	710	630	570	596	115	119	12	98.5	10	21.5
630	800	710	640	674	105	128	12	103	12	24
710	900	800	713	733	130	103	16.5	91.5	12	32

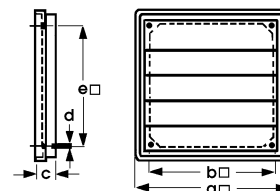
ACCESSORIES DIMENSIONS (mm)



DISCHARGE GUARD
'K' factor loss 0.25

Stock Ref. No.	a	b	c	Ød
105 02 325	397	64	351	8
105 02 375	449	64	403	8
105 02 450	501	64	455	8
105 02 525	553	64	507	8
105 02 630	808	150	735	8
105 02 800	1010	140	-	8

If a discharge guard is required with a louvre shutter the next size up discharge guard should be selected.



LOUVRE SHUTTER

Stock Ref. No.	a	b	c	dØ	Fixing centres e
105 01 250	294	265	25	5	230
105 01 315	360	310	27	5	295
105 01 355	411	349	27	5	329
105 01 400	456	409	27	5	382
105 01 450	505	458	27	5	432
105 01 500	560	508	27	5	477
105 01 560	605	565	31	5	523
105 01 630	696	657	31	5	626
105 01 710	790	-	43	6	722

