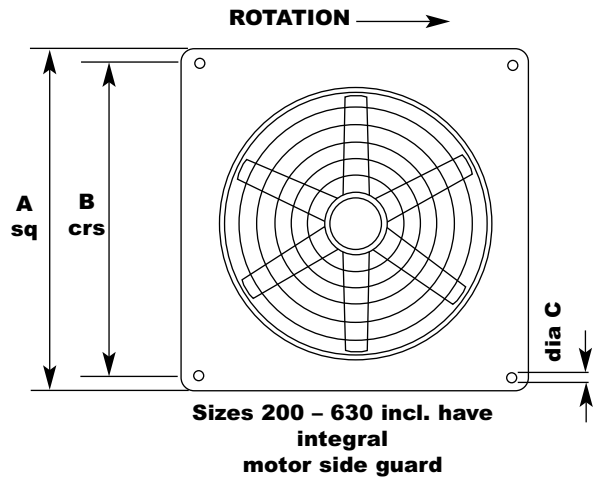
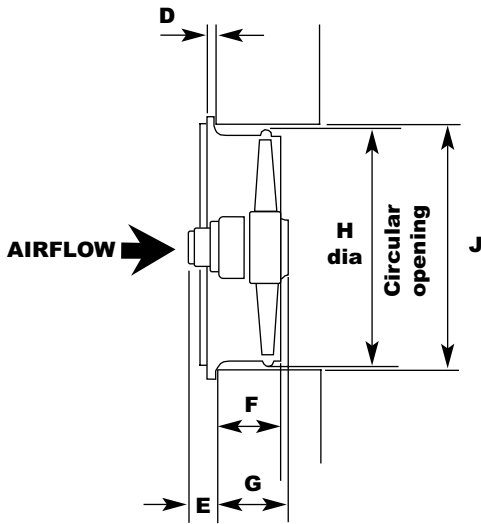


# Plate Mounted Axial Fans

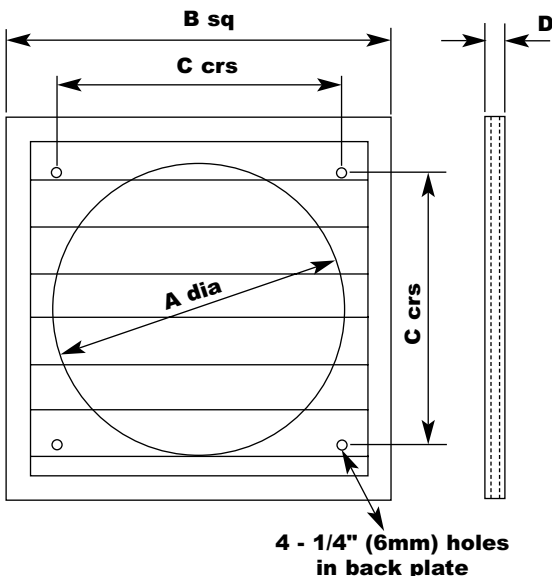
## Dimensional Data (mm)



Unit Size	Dimensions in Millimetres									Weight kg
	A	B	C	D	E‡	F	G*	HØ	JØ	
E250	315	260	10	12	124	53	63	254	294	5
E315	400	330	10	12	110*	73	105	316	329	7
E350	450	380	10	12	110*	75	84	355	371	8
E400	500	420	10	12	105.5	78	88.5	400	422	9
E450	560	480	10	12	113	94	102	450	476	13
E500	630	560	10	12	109.5	97	105.5	500	536	16
E560	710	630	10	12	175.5	100	108	560	596	22
E630	800	710	12	12	175.5	103	109	630	674	25
E630/HA	800	710	12	12	175.5	103	109	630	674	26
E710	900	800	10.5	24	199	85	85	710	733	27
E800	1000	800	16	16	255	92	131	800	926	52
E1000	1250	1000	16	16	350	110	131	1000	1154	95

‡ Includes Terminal Box \* 220 on 2 pole motors

## Accessory Dimensions (mm)



Unit Size	Dimensions in millimetres			
	A	B	C	D
LS315	310	344	276	26
LS350	360	398	312	26
LS400	420	458	365	26
LS450	460	499	395	31
LS500	510	544	444	31
LS560	-	605	533	31
LS630	-	694	627	31
LS710	-	790	722	43
LS800	-	890	820	43
LS1000	-	1137	1068	43

N.B. Fixings shown are for circular wall apertures. For square apertures timber filling should be used to pick up fixing points.

Shutters: Sizes 800 & 1000 must not be used with 4 & 6 Pole Units, please enquire for special metal shutters.