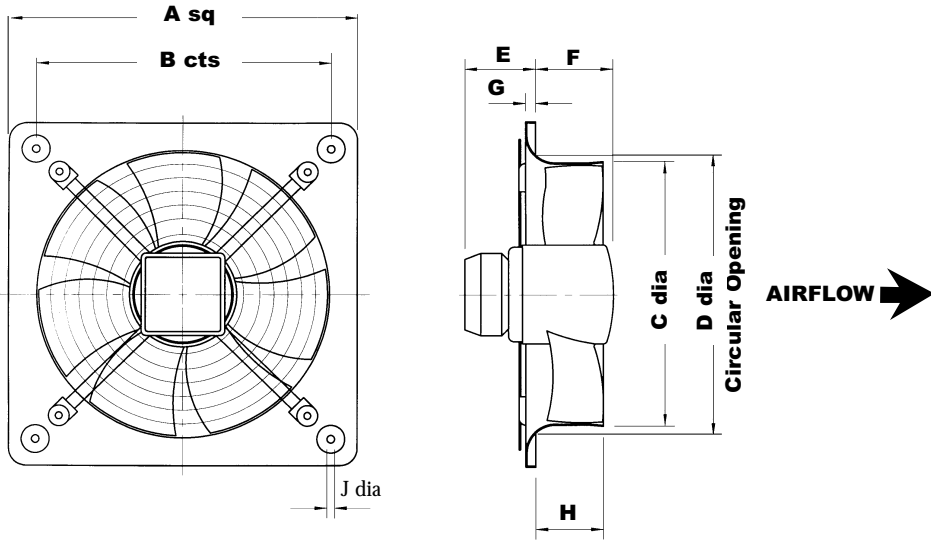


# Plate Mounted Sickle Fans

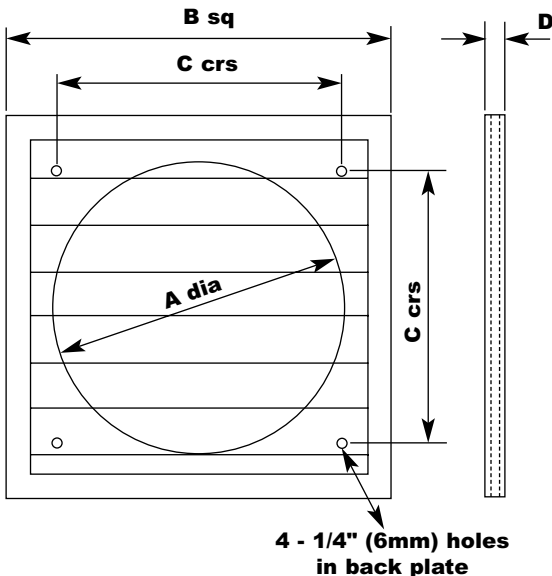
## Dimensional Data (mm)



Unit Size	Dimensions in millimetre										Weight Kg
	A	B	C	D	E	F	G	H	J		
ESU200	312	260	203	220	61	56	6	46	7	6	
ESU250A	315	260	261	294	72	60.5	12	53	10	6	
ESU315A	400	330	320	329	81	68	12	68	10	7	
ESU350A	450	380	363	371	81	75	12	75	10	7.5	
ESU400A	500	420	410	422	81	75	12	78	10	9	
ESU450A	560	480	457	476	115	91	12	91	10	12.5	
ESU500A	630	560	512	536	105	110	12	97	10	16	
ESU560A	710	630	570	596	115	119	12	98.5	10	21.5	
ESU630A	800	710	640	674	105	128	12	103	12	24	

**N.B.** Fixings shown are for circular wall apertures. For square apertures timber filling should be used to pick up fixing points.

## Accessory Dimensions (mm)



Unit Size	Dimensions in millimetres			
	A	B	C	D
LS250	260	294	233	22
LS315	310	344	276	26
LS350	360	398	312	26
LS400	420	458	365	26
LS450	460	499	395	31
LS500	510	544	444	31
LS560	-	605	533	31
LS630	-	694	627	31

**N.B.** Fixings shown are for circular wall apertures. For square apertures timber filling should be used to pick up fixing points.