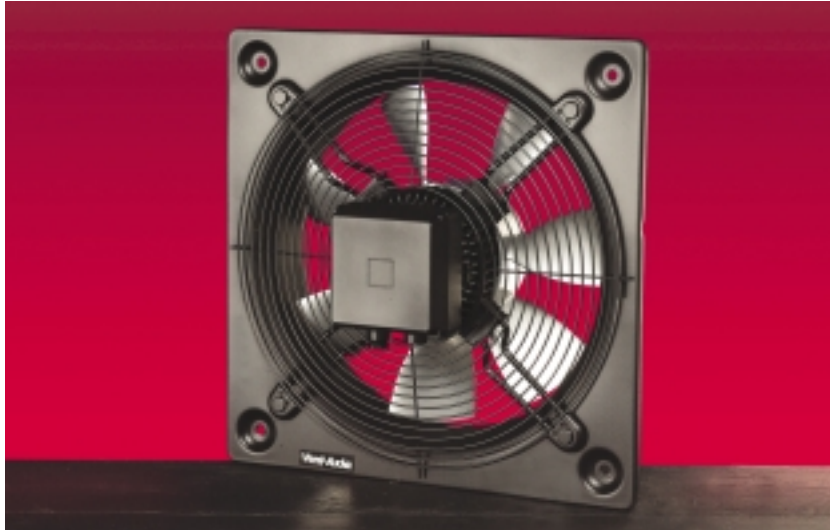


VENT-AXIA SCEPTRE PLATE MOUNTED AXIAL FANS (SMP)



- ✓ Motor Insulation Class 'F'.
- ✓ Maximum operating temperature 4 and 6 pole 70°C, 2 pole 50°C.
- ✓ Standard Thermal Overload Protection.
- ✓ Sizes 315 to 710 protected to **IP65**, 250, 800 and 1000 protected to **IP55**.
- ✓ Can be wired for reverse running.
- ✓ Manufacture controlled to **BS EN ISO 9001**.
- ✓ Performance tested to **BS 848** Parts 1 & 2.
- ✓ **5 Year Guarantee**.

SCEPTRE PLATE MOUNTED AXIAL FANS

Plate mounted axial fans are based on an integrated impeller and internal rotor motor design which produces a very compact unit. Together with a specially designed bellmouth inlet and mounting plate, the complete fan is lightweight and ensures an excellent performance to sound level ratio.

The mounting plate is formed from a single sheet, protected with a tough epoxy paint finish. Inlet finger guards and motor supports are manufactured from steel rod, electro welded for extra strength. Sizes 250 to 710 finger guards give protection to **BS 848** Part 5. Manufacture is controlled to **BS EN ISO 9001** Standards.

AXIAL MOTORS

The internal rotor motors are specifically designed and styled for this range of fan. Ball bearings are greased for life and allow the fans to be installed at any angle. Impellers are dynamically balanced to **ISO 1940**. **315-710 motors are protected to IP65, and 250, 800 and 1000 are protected to IP55 against dust and water jets complying with BS EN 60529**. They have ribbed aluminium body castings for efficient cooling. **Motor insulation is Class 'F' (from -40°C to + 70°C). Sizes 250 to 315 2 pole +50°C max.**

IMPELLERS

The impellers are manufactured in die-cast aluminium and are fitted with narrow profiled blades, which provide the maximum efficiency at the maximum airflow.

ELECTRICAL

Single phase 220-240V/50Hz. Capacitor start and run. Three phase 380-415V/50Hz. A terminal box is supplied with all models with 20mm and PGII entry. Sizes 250-710 motors are fitted with **Standard Thermal Overload Protection (S.T.O.P.)** which should be wired into all controller circuits and into starter contactors.

FORM OF RUNNING

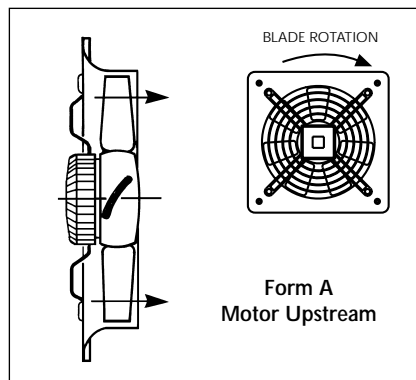


Plate mounted fans (ex-stock) are supplied for extract use (Form 'A' running). When used for intake, the fan can be wired for reverse running, although the performance will be reduced by 30% (minimum). Form B impellers are available to order.

TERMINAL BOX

Sizes 250-710 are to **IP65**, 800-1000 are to **IP55** and are motor mounted. Protected against dust and water jets from any angle allowing outside applications.

PERFORMANCE & SOUND

The performance is tested to **BS 848** Part 1.

Published dB(A) figures are free field sound pressure levels at 3m with spherical propagation at a reference level of 2×10^{-5} Pa (20 micro-Pascal). The sound power level spectra figures are dB with a reference of 10^{-12} Watts (1 pico-watt).

SCEPTRE PLATE MOUNTED AXIAL ACCESSORIES

Louvre Shutter

A range of eleven sizes for wall mounting. Square opening behind a square frame for maximum free area. The frame is manufactured from high impact polystyrene and the louvres from PVC. All components are UV stabilised. Colour: Light grey.

Discharge Guard

Available in eight sizes to suit models 250-1000 and fits to the outside of the wall. The material is weldmesh with galvanised 12mm mesh with reinforced corners.

Inlet wire guards are fitted as standard on fan sizes 250 - 710 dia. For sizes 800 - 1000 dia. the guards are supplied as an optional accessory.

If a discharge guard is required with a louvre shutter the next size up discharge guard should be selected.