

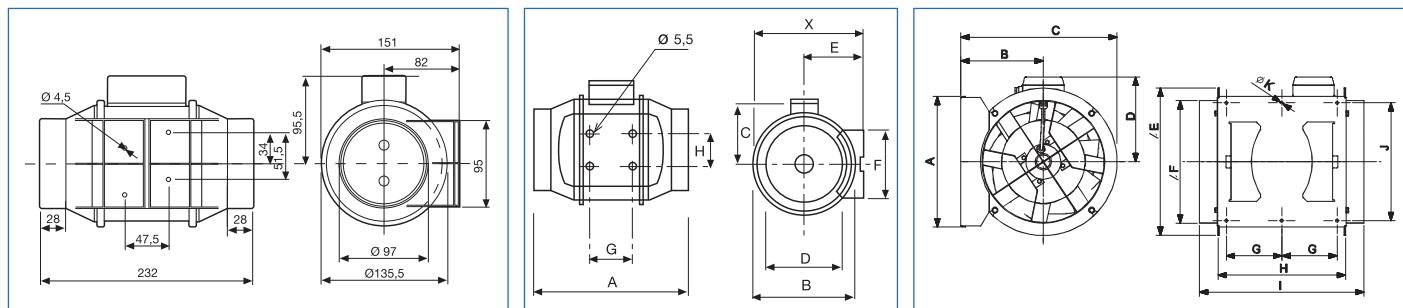
■ Acoustic power spectrum in dB(A), for every frequency band, at the inlet and radiated, at high speed

AT INLET	63	125	250	500	1100	2000	4000	8000
NEW TD-160/100 N SILENT	24	32	39	46	52	49	40	21
TD-250/100	28	47	46	53	52	47	39	33
TD-350/125	35	47	46	53	54	59	41	33
TD-500/150	32	35	55	57	59	62	56	48
TD-500/160	32	35	55	57	59	62	56	48
TD-800/200N	37	42	62	64	66	64	60	52
TD-800/200	37	47	61	63	68	67	64	54
TD-1000/250	35	45	58	66	72	69	62	54
TD-1300/250	37	52	64	67	75	73	66	61
TD-2000/315	41	57	66	71	77	74	67	62
TD-4000/355	40	49	61	66	73	70	66	57
TD-6000/400	43	56	67	72	76	74	69	60

RADIATED	63	125	250	500	1100	2000	4000	8000
NEW TD-160/100 N SILENT	24	24	37	34	36	41	32	21
TD-250/100	27	46	45	44	43	43	32	25
TD-350/125	33	46	46	47	47	45	33	24
TD-500/150	25	32	43	39	44	53	42	29
TD-500/160	25	32	43	39	44	53	42	29
TD-800/200N	26	32	48	47	52	53	44	31
TD-800/200	29	36	47	46	54	57	48	33
TD-1000/250	23	34	44	46	58	57	46	43
TD-1300/250	22	36	39	47	60	59	52	47
TD-2000/315	29	41	52	55	64	63	57	53
TD-4000/355	31	49	55	55	63	57	51	40
TD-6000/400	30	53	59	55	61	55	54	45

■ Dimensions (mm)

TD-160/100 N SILENT **NEW**



Model	X	A	ØB	C	ØD	E	F	G	H
TD-250/100	188	303	176	115	97	100	90	80	60
TD-350/125	188	258	176	115	123	100	90	80	60
TD-500/150	212	295	200	127	147	112	130	80	60
TD-500/160	212	275	200	127	157	112	130	80	60
TD-800/200N	232,5	302	217	141	198	124	140	100	94
TD-800/200	232,5	302	217	141	198	124	140	100	94
TD-1000/250	291	386	272	192	248	155	168	145	140
TD-1300/250	291	386	272	192	248	155	168	145	140
TD-2000/315	356	450	336	224	312	188	210	182	178

Model	A	B	C	D	øE	øF	G	H	I	J	øK
TD-4000/355	377	238	451	224	426	354	150	368	474	340	8.5
TD-6000/400	407	249	492	267	487	399	160	425	547	370	8.5